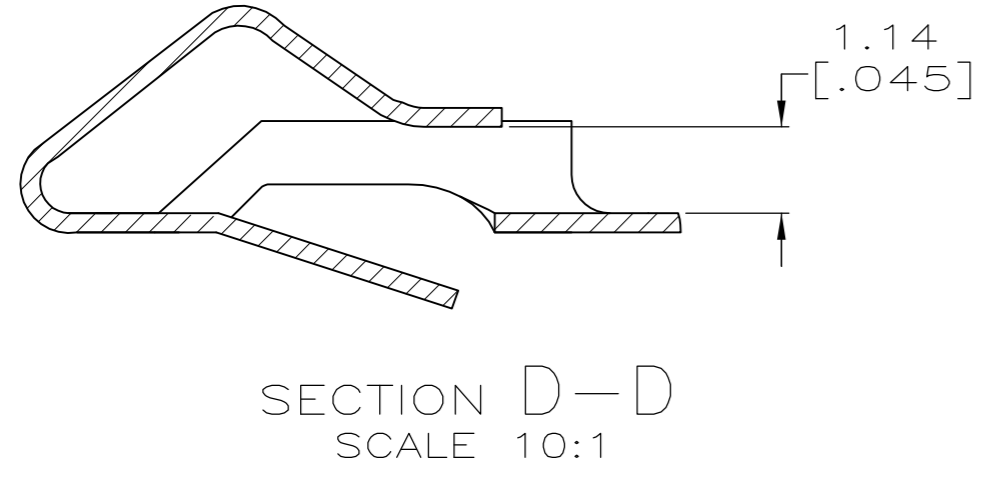
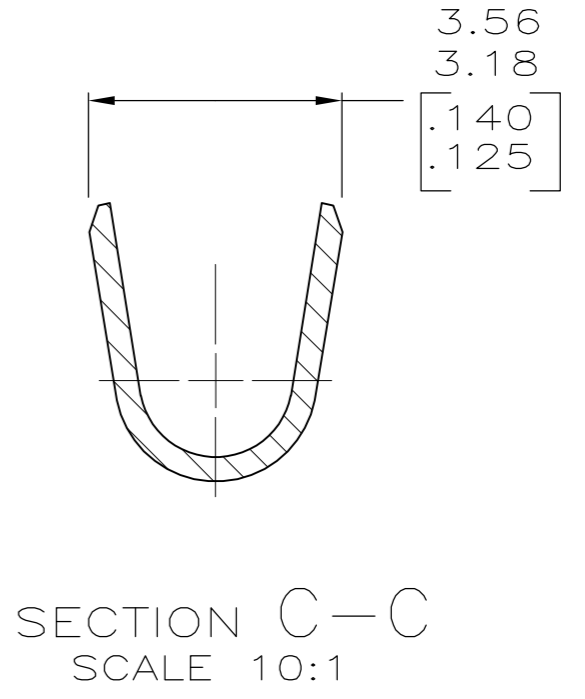
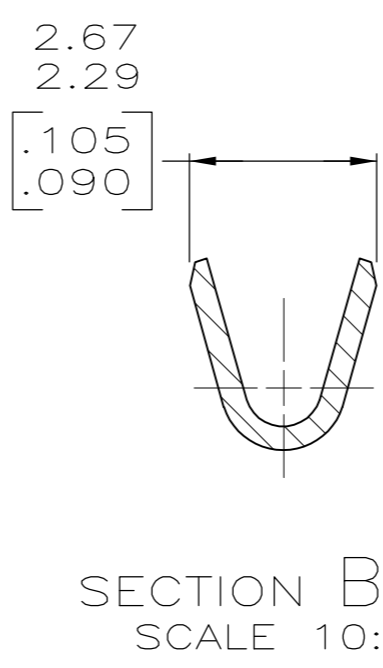
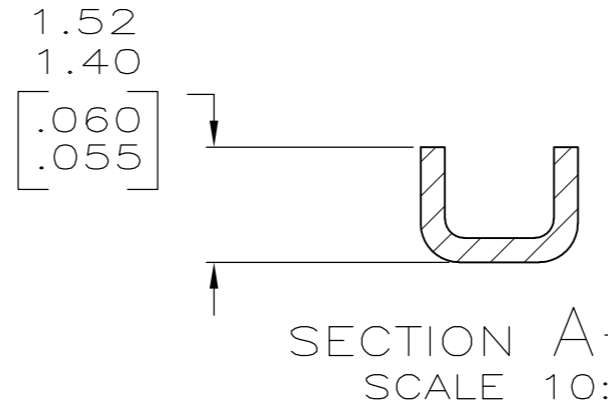
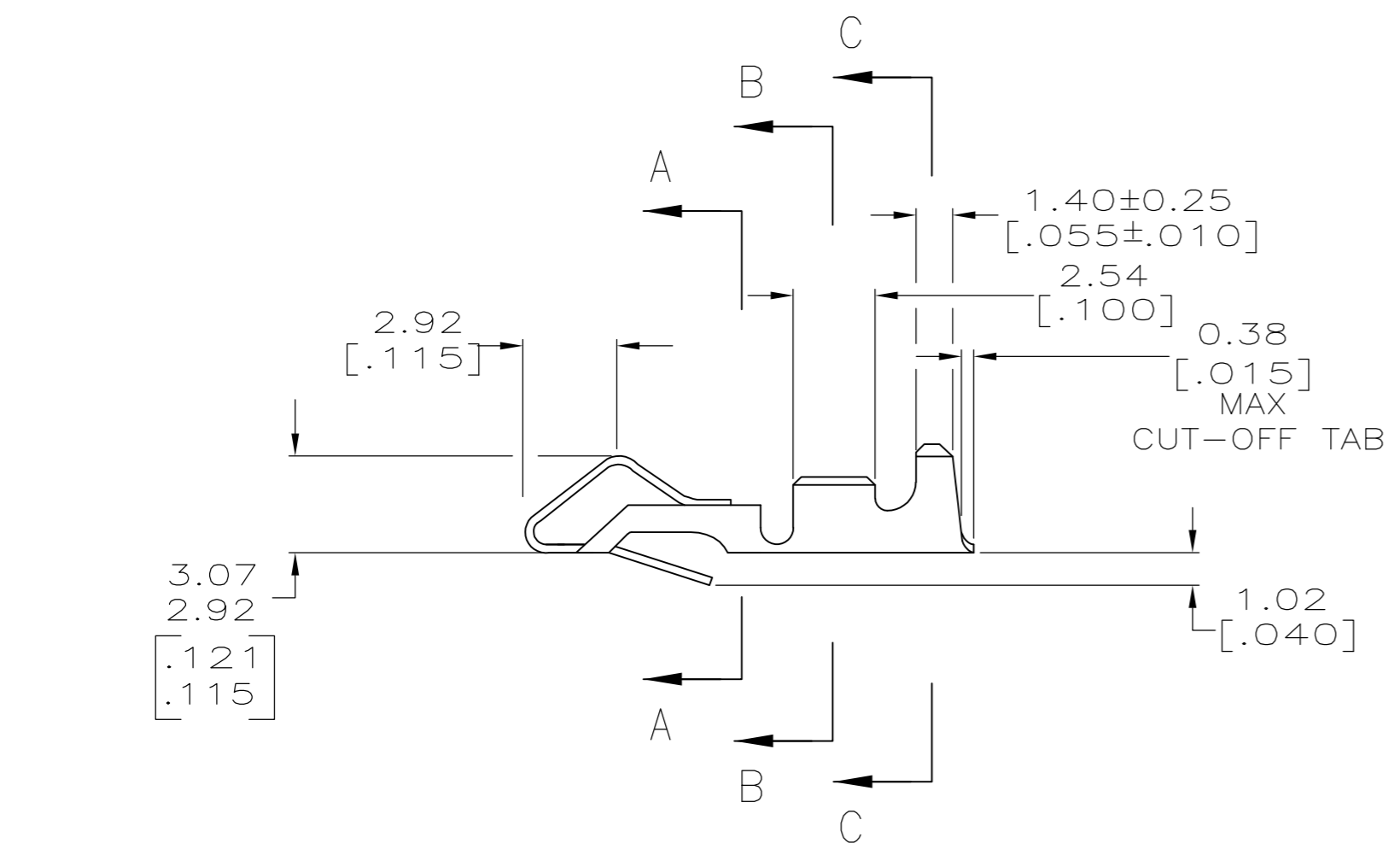
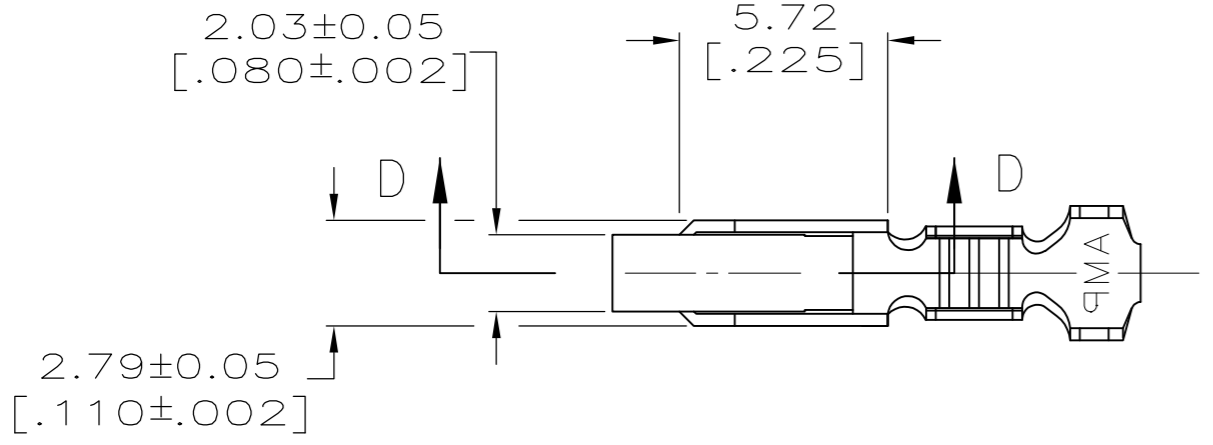


THIS DRAWING IS UNPUBLISHED. RELEASED FOR PUBLICATION
 © COPYRIGHT - By - ALL RIGHTS RESERVED.

LOC	DIST	REVISIONS					
CM	00	P	LTR	DESCRIPTION	DATE	DWN	APVD
		E1		REVISED PER ECO-11-004820	11MAR11	RK	HMR

- ① 0.00203 [.000080] MIN BRIGHT TIN-LEAD OVER
0.00127 [.000050] MIN NICKEL.
- ② 0.00330 [.000130] MAX PRE-TIN.
- 3. WIRE RANGE: 0.2-0.9mm² (24-18 AWG).
INSULATION RANGE: 2.79 [.110] DIA MAX.
- 4. DIMENSIONS IN BRACKETS ARE IN INCHES.
- ⑤ 0.00203 [.000080] MIN BRIGHT TIN OVER
0.00127 [.000050] MIN NICKEL.



METRIC

⑤	3-640706-1
②	640706-2
①	640706-1
FINISH	PART NO

THIS DRAWING IS A CONTROLLED DOCUMENT.		DWN S. CARPENTER 21AUG2003	TE Connectivity	
DIMENSIONS: INCHES		CHK J. ELLIS 21AUG2003	RECEPTACLE, SL-156, LOOSE PIECE	
TOLERANCES UNLESS OTHERWISE SPECIFIED:		APVD J. ELLIS 21AUG2003		
		PRODUCT SPEC	SIZE A2	CAGE CODE 00779
MATERIAL 0.33 [.013] BRASS		APPLICATION SPEC	DRAWING NO 640706	RESTRICTED TO -
FINISH SEE TABLE		WEIGHT	SCALE 5:1	SHEET 1 of 1
		CUSTOMER DRAWING	REV E1	